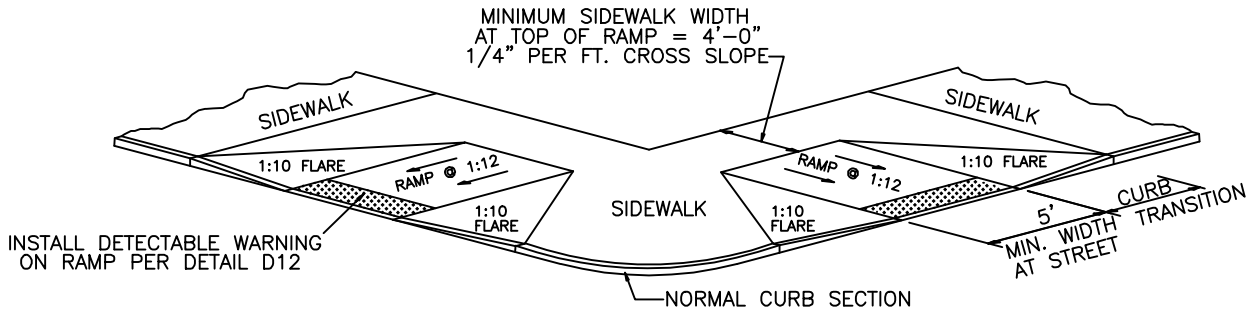
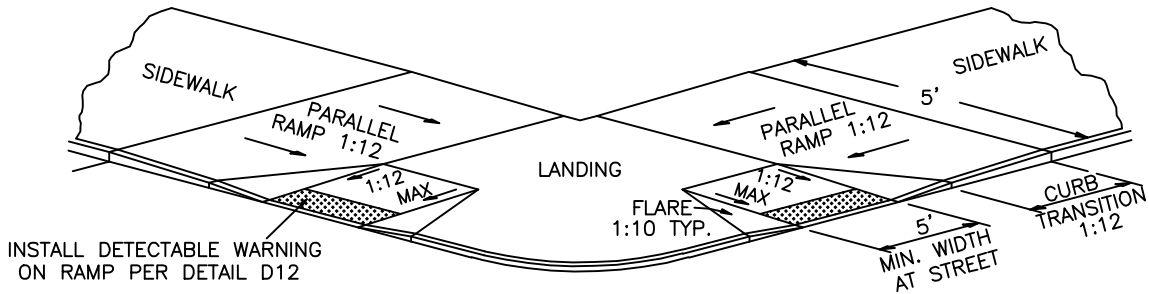


# D9 - SIDEWALK RAMP-CORNER Sidewalk at Back of Curb



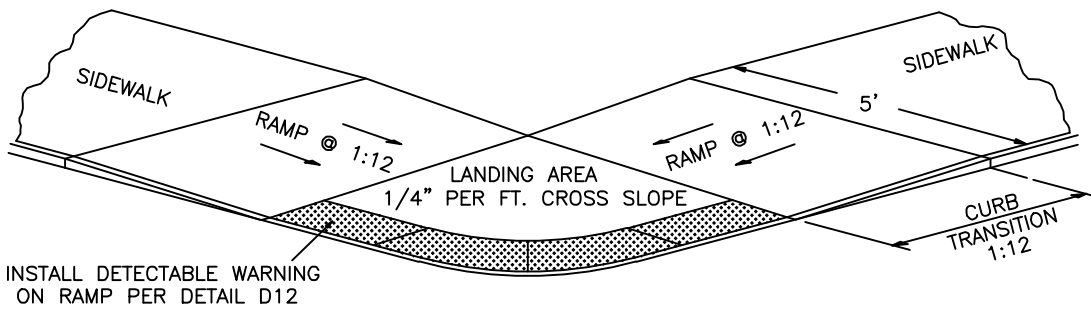
TYPE "A" RAMP NOT APPLICABLE IF SIDEWALK WIDTH DOES NOT PROVIDE 4'-0" LANDING AT THE TOP OF RAMP. USE TYPE "B" RAMP.

**TYPE A**



TYPE "B" RAMP PROVIDES PARALLEL RAMPS TO REDUCE THE PERPENDICULAR RAMP LENGTH AND PROVIDE ADEQUATE LANDING.

**TYPE B**



NOTE: USE TYPE "C" RAMP ONLY IF TYPE "A" & "B" ARE NOT FEASIBLE.

**TYPE C**

NOTE: THESE STANDARDS ARE TO BE CONSIDERED AS MINIMUM REQUIREMENTS. ANY DEVIATION FROM THESE STANDARDS WILL REQUIRE THE LACONIA DEPT. OF PUBLIC WORKS APPROVAL.



**Department of Public Works**

27 Bisson Avenue  
Laconia, NH 03246

Phone: 603-528-6379  
Fax: 603-527-1298