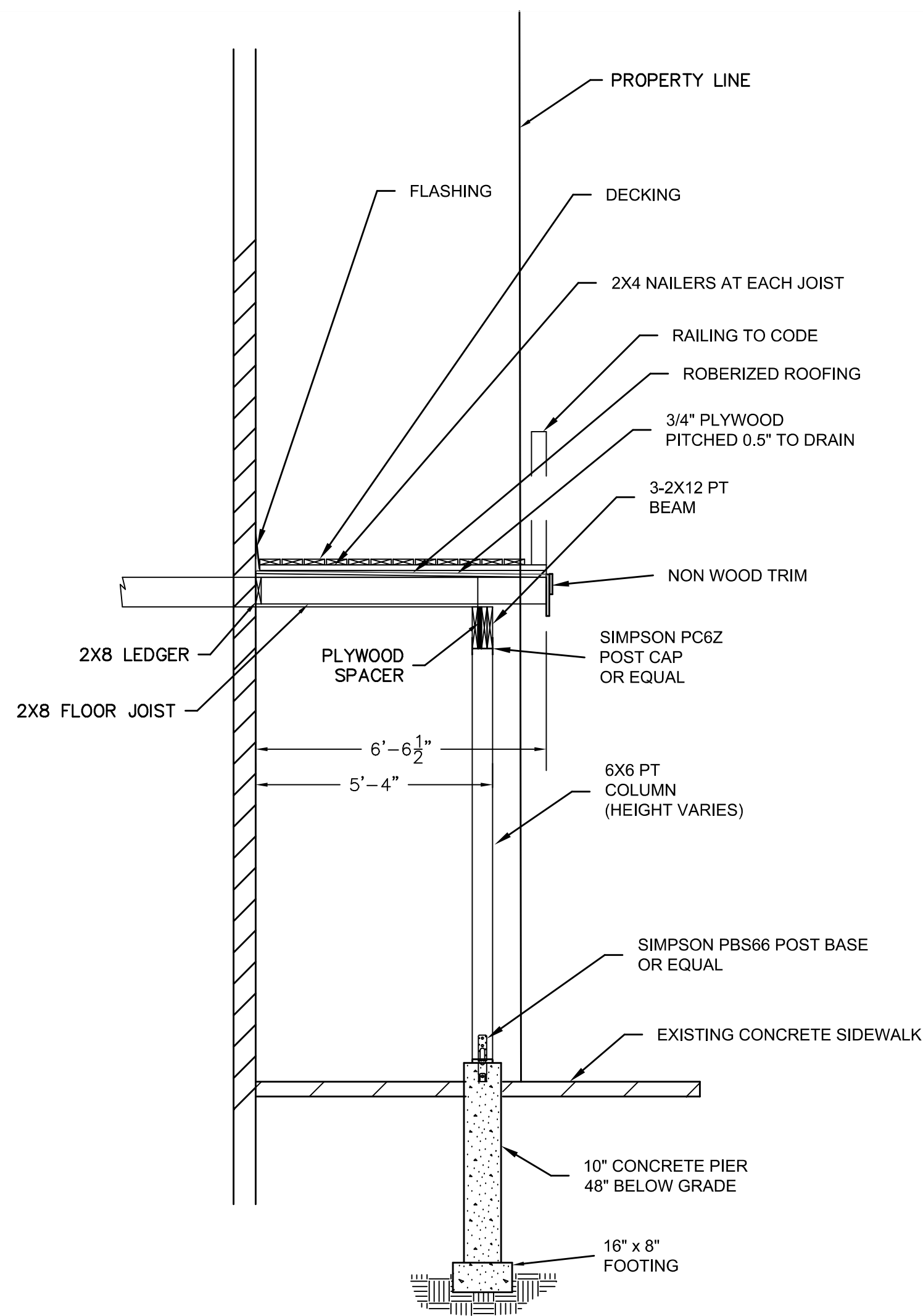
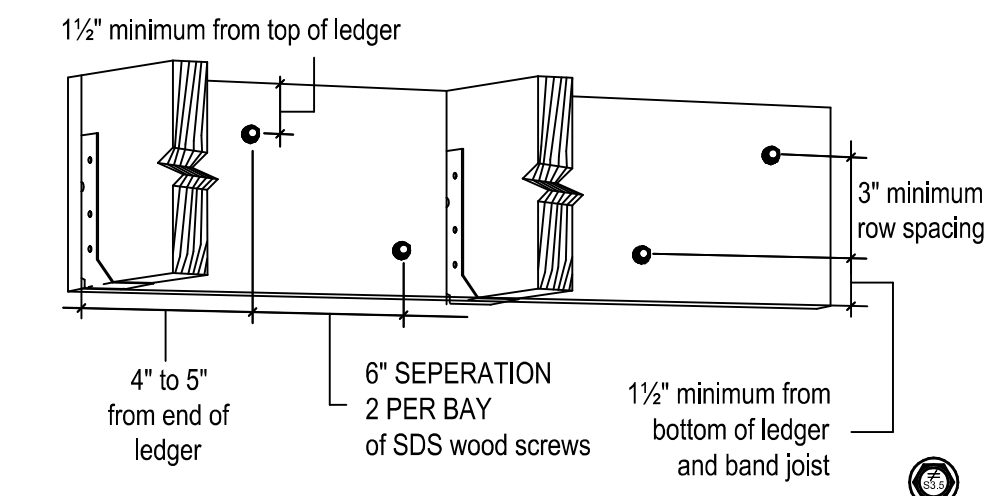


PLAN VIEW
SCALE 1" = 10'



CROSS SECTION A-A
SCALE 3/8" = 1'-0"



SDS Ledger Installation

Size (in.)	Model No.	Thread Length (in.)
1/4" x 3 1/2"	SDS25312	2 1/4

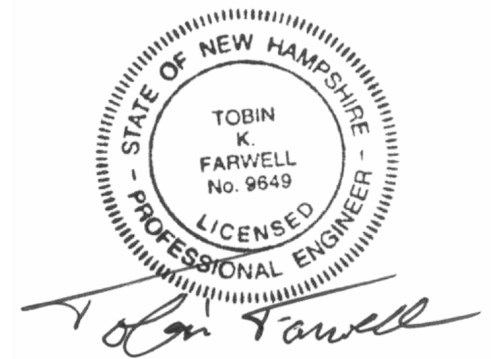


Installation:

- Install Simpson Strong-Tie SDS wood screws with a 3/8" hex head driver.
- SDS screws install best with a low speed 1/2" drill.

LEDGER CONNECTION
NOT TO SCALE

- NOTES:
- THE INTENT OF THIS PLAN IS TO CONSTRUCT A DECK WITHIN THE FOOTPRINT OF THE EXISTING ROOF OVERHANG OF THE TOWER HILL TAVERN ON THE LAKESIDE AVENUE SIDE.
 - THE FOLLOWING LOADS WERE USED FOR THE DESIGN:
THE GROUND SNOW LOAD FOR LACONIA NH IS 80 PSF
DEAD LOAD OF 20 PSF.
LIVE LOAD OF 100 PSF.
 - PROPERTY LINES BASED ON PLAN:
"PLAN OF LAND PREPARED FOR SANTAGATE PROPERTIES LLC
LOCATED AT 264 LAKESIDE AVENUE, LACONIA, NH" BY ATLANTIC SURVEY
DATED FEB. 2017.



DECK FRAMING
for

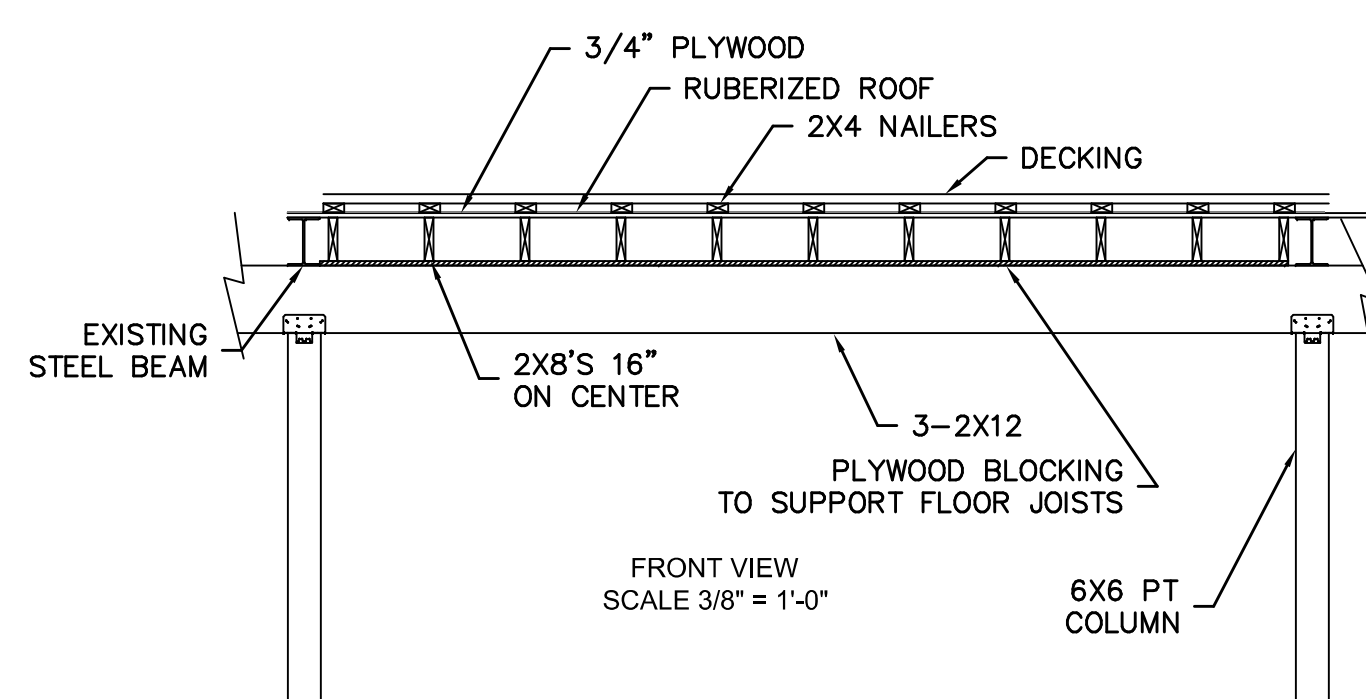
TOWER HILL TAVERN
264 LAKESIDE AVE
LACONIA, NH

Prepared For:
SANTAGATE PROPERTIES LLC

8/2/18



265 WADLEIGH FALLS ROAD
LEE, NEW HAMPSHIRE 03824
PH: 603-292-5787
WWW.FARWELLENGINEERING.COM



FRONT VIEW
SCALE 3/8" = 1'-0"

NO.	DATE	DESCRIPTION	BY
1	8-28-18	EXTEND DECK 14"	TKF
		DATE	INITIAL SUBMISSION
		DATE	INITIAL SUBMISSION